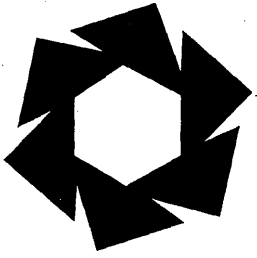


~~AAV~~ AUVV: John

317247 6843

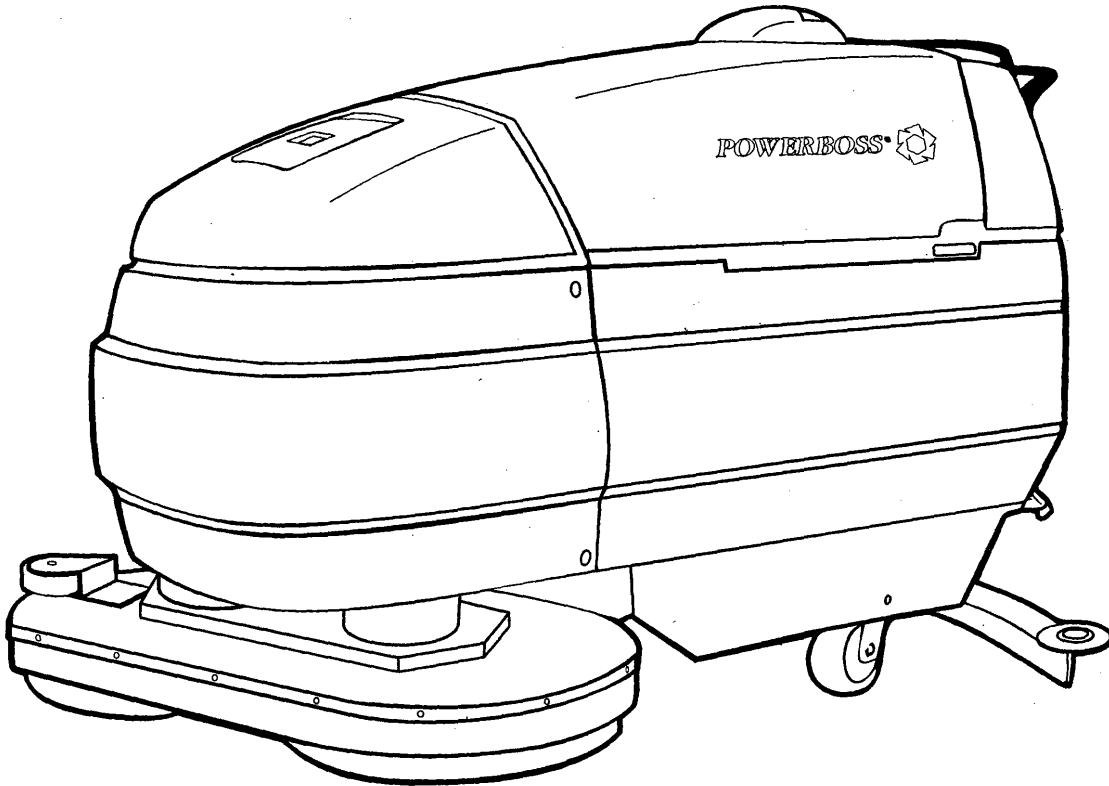


# POWERBOSS®

## PARTS MANUAL

SERVICE • PARTS

VS34/VS85



**AAR POWERBOSS, INC.**



Anderson & Taylor Streets / P.O. Box 1227

Aberdeen, NC 28315 U.S.A.

Phone: (910) 944-2105 / FAX: (910) 944-3199

EDITION 1  
MARCH 1996  
083425

# TABLE OF CONTENTS

---

VS34/85 SOLUTION TANK .....	2, 3
VS34/85 RECOVERY TANK .....	4, 5
VS34/85 BACK PANEL .....	6, 7
WIRE DIAGRAM .....	8, 9
VS34/85 SQUEEGEE .....	10, 11
VS34/85 BRUSH HEAD .....	12, 13
VS34/85 REAR COVER .....	14, 15
VS34/85 BRUSH COVER .....	16
VS34/85 FRAME ASSEMBLY .....	17
VS34/85 CHASSIS ASSEMBLY .....	18

## RECOMMENDED SPARE PARTS

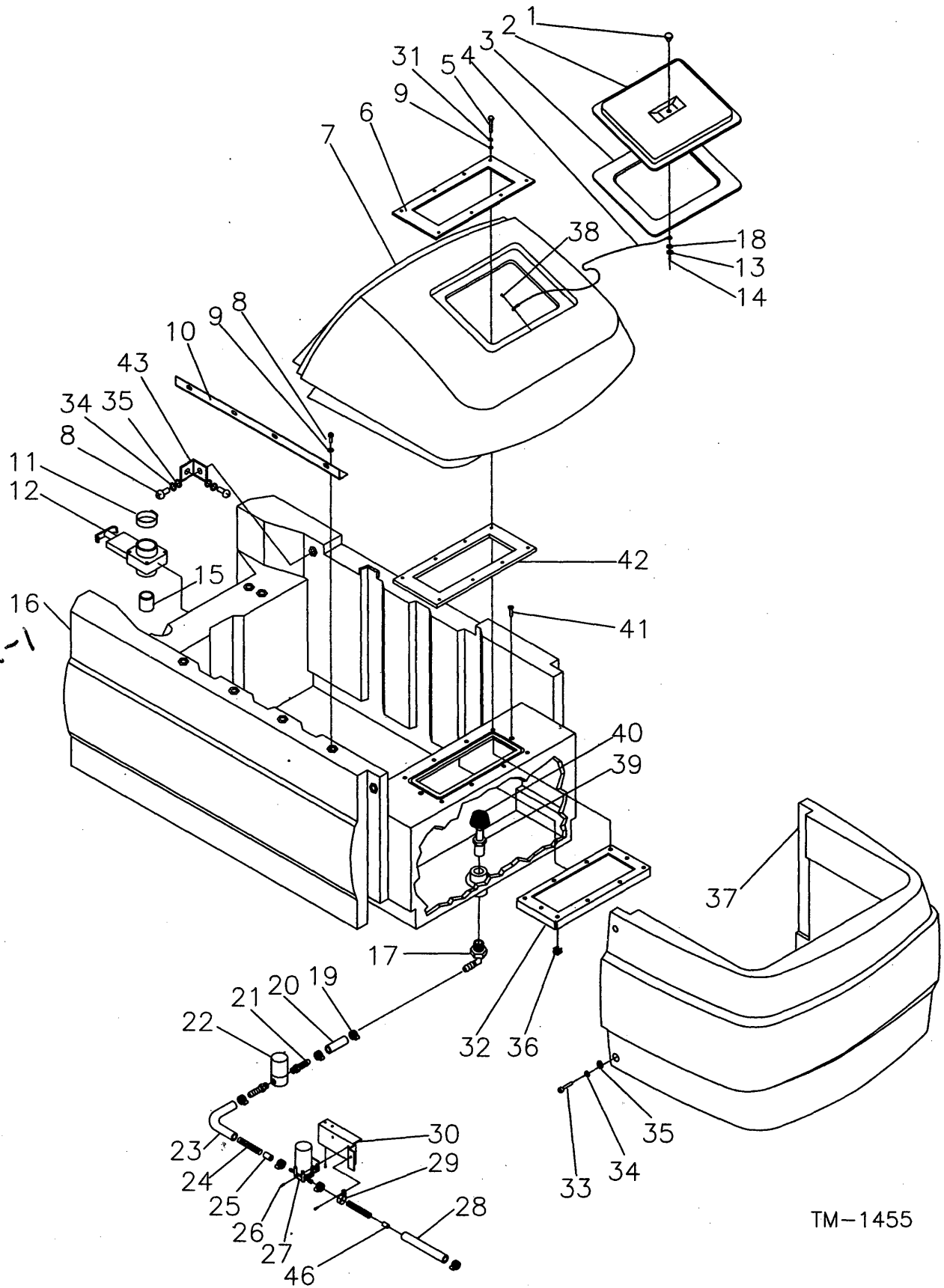
---

Recommended spare parts should be ordered and stocked to avoid possible down time in case of failure, breakage, or normal wear.

<u>PART NO.</u>	<u>DESCRIPTION</u>	<u>QUANT.</u>
035302	ASM,HOSE--SQUEEGEE, BLK,22"L	1
035129	ASM,HOSE--TANK, BLK,36"L	1
035179	ASM,HOSE--DUMP,1.50 DIA,BLK,40"L	1
039276	BRUSH,MTR--FOR 024372 MOTOR	4
039428	BRUSH,MTR--FOR 024373 VAC MTR	2
047484	KNOB	1
056428	RUBBER,SQUEEGEE--33" AUTO,FRONT	1
056429	RUBBER,SQUEEGEE--33" AUTO,REAR	1
056430	RUBBER,SQUEEGEE--33" AUTO,BACKUP	1
056466	GASKET,SQUEEGEE--.187X2,9.75L	1
056793	FILTER,SCREEN--1.85ID,SS	1

# VS34/85 SOLUTION TANK ASSEMBLY

3057802-1



TM-1455

# VS34/85 SOLUTION TANK PARTS LIST

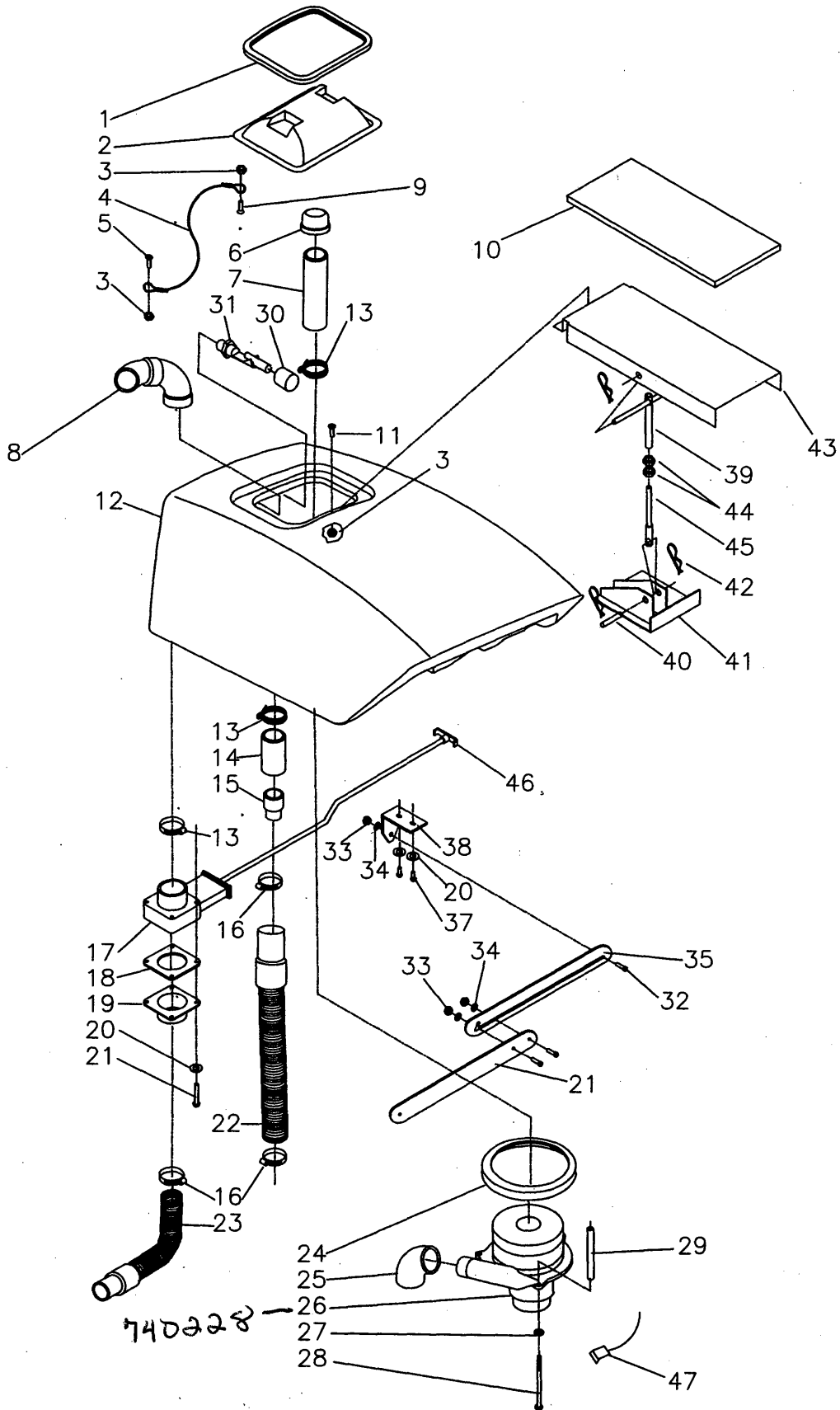
DET. PART NO.	DESCRIPTION	QUANT.	DET. PART NO.	DESCRIPTION	QUANT.		
1	048022	KNOB	1	23	048505	TUBE,VINYL—.500X.750, 6.75L	1
2	056250	LID,TANK—DURASCUB	1	24	053321	SPRING,COMP—.480D,2.75L,.059W	4
3	056379	GASKET,FOAM—EXTR.RECOVERY	1	25	056770	TUBE,VINYL—.375X.500, .750L	2
4	053793	WIRE ROPE—.062 DIA X 10.50L	1	26	005316	SCR TPG F PAN HD 10-24X.375L	5
5	002477	SCR CAP HEX HD .25-20X1.50L,SS	8	27	035257	ASM,PUMP—12V,1GPM	1
6	056524	PLATE,SS—11GA,5.75X13.00	1	28	057083	TUBE,VINYL—.500ID,.750OD,10"L	1
7	056967	TANK,FRT—MACH'D,33&39 PWRBOSS	1	29	056682	CLAMP,TUBE—.750CLAMP DIA.	1
8	005616	SCR MACH RD HD .250-20X.50L,SS	8	30	056659	BRACKET,WATER PUMP—	1
9	004207	WSHR FLT .281ID.562OD.063T BRS	12	31	002278	WSHR LK .262ID.489OD.062TSPLT	8
10	056514	HINGE,BUTT—RS 056291,BLACK	1	32	056338	FRAME,CLAMP—TANK SEAL	1
11	049999	CLAMP,HOSE—2.25 MAX DIA,WORM	1	33	002471	SCR CAP SOC HD—.25-20X1.25 L	4
12	055070	VALVE,SLIDE—SHUTOFF,1.5PIPE,T	1	34	004254	WSHR LK .267ID.510OD.028T EXT	4
13	004253	WSHR LK .204ID.410OD.025T EXT	1	35	004208	WSHR FLT .281ID.500OD.036T STL	4
14	005456	SCR MACH PAN HD 10-24X.500L	1	36	005628	NUT,SELF-RETAINING—1/4-20,SS	10
15	056593	TUBE,PLSTC—1.66-1.50 REDUCER	1	37	056648	COVER,FRONT—FLAMETREATED	1
*16	056370	TANK,SKIRT—AUTOS,MACHINED	1	38	002382	SCR TPG F PAN HD 10-B X.500L	1
17	056231	ELBOW,PLASTIC—1/2MPTX1/2BARB	1	39	051207	ADPTR,PP-HS—1/2 MPTX3/8HS,PLS	1
18	005407	WSHR FLT .203ID.562OD.045T STL	1	40	057209	LINE STRAINER—80 MICRON,S.S.	1
19	051117	CLAMP,HOSE—.875 MAX DIA,WORM	6	41	002475	SCR MACH FLAT HD .250-20X.750L	2
20	051514	TUBE,VINYL—.500X.750, 2.25L	1	42	056523	GASKET,FOAM—5.75X13.00,.375T	1
21	006142	ADPTR,PP-HS—3/8 MPTX1/2HS,BRS	2	43	056857	BRACKET,ANGLE—11GA,1.50WIDE	2
22	027145	VALVE,SOLENOID—24V	1	46	057226	SPACER,SS—.113ID,.500OD,0.50L	1

\* Change to 3057802-1 (one piece)

## AVAILABLE ASSEMBLIES

035306 ASM, SOLUTION TANK--INCLUDES ITEMS 1-7, 11-18, 31-32, 36, 38-42

# VS34/85 RECOVERY TANK ASSEMBLY



# VS34/85 RECOVERY TANK PARTS LIST

DET. PART NO.	DESCRIPTION	QUANT.	DET. PART NO.	DESCRIPTION	QUANT.		
* 1	056379	GASKET,FOAM—EXTR.RECOVERY	1	23	035179	ASM,HOSE—DUMP,BLK,1.50 DIA	1
2	057579	LID,DOMED—DURASCRUB,CLEAR	1	24	E23788B	RING-MOTOR MOUNTING	1
3	005480	NUT,HEX LOCK— 10-24,NYLOC	3	25	056676	ELBOW,PIPE—RS 98402,CUT OFF	1
4	056617	WIRE ROPE—.062DIA X 6.00L	1	26	035240	ASM,VAC MTR—36V,3-STAGE	1
5	002382	SCR TPG F PAN HD 10-B X.500L	1	27	004254	WSHR LK .267ID.510OD.028T EXT	7
6	056793	FILTER,SCREEN—1.85ID,SS	1	28	223213	SCR CAP HEX HD .250-20X4.00L	3
7	055494	PIPE,PVC—1.50 SCH40 X 6.00L	1	29	056764	SPACER,PHEN—.265X.500,3.156L	3
8	056758	ASM,ELBOW—RECOVERY TANK	1	30	057318	ADPTR,FLOAT—DURA SCRUB	1
9	004543	SCR MACH PAN HD 10-24X.625L,BL	4	31	057002	SWITCH,FLOAT W/WIRE	2
10	057076	GASKET,SUPPORT—33&39AUTO	1	32	002433	SCR SHLDR SOC HD .250X.500L	3
11	002491	SCR MACH FLAT HD 10-24X1LSS	1	33	222258	NUT,HEX—.250-20,SS	3
12	056965	TANK,REC—MACH'D,SB34	1	34	005433	WSHR FLT .281ID.750OD.120T STL	3
13	049999	CLAMP,HOSE—2.25 MAX DIA,WORM	3	38	057504-02	BRACKET,STL—11GA,PLATED	1
14	056675	TUBE,PVC—AUTO	1	39	035326	WDMT,SUPPORT—AUTOS	1
15	053894	FITTING—REDUCER,1.58-1.50,PLS	1	40	057026	PIN,STL—3/8"OD,SS	1
16	046688	CLAMP,HOSE—1.75 MAX DIA,WORM	2	41	035365	WDMT,VAC TANK—SUPPORT,33&39	1
17	057337	VALVE,SLIDE—33SS	1	42	004352	PIN,LOCK—.125 DIA WIRE	4
18	054762	GASKET,FOAM—.187X2.87X2.87	1	43	057075	PLATE,STL—VAC TANK SUPPORT	1
19	035160	WDMT,DRAIN—RECOVERY TANK	1	44	003438	NUT,HEX JAM—.375-16,SST	2
35-20	057508-02	BAR,STL—11GA,W/SLOT,PLATED	1	45	035327	WDMT,SUPPORT—REC TANK	1
21	057505-02	BAR,STL—11GA,PLATED	1	46	057187	HANDLE,SLIDE VALVE—SERVICE	1
22	035129	ASM,HOSE—TANK,1.50 DIA,BLK	1	47	039428	BRUSH,MTR—FOR 024373 VAC MTR	2

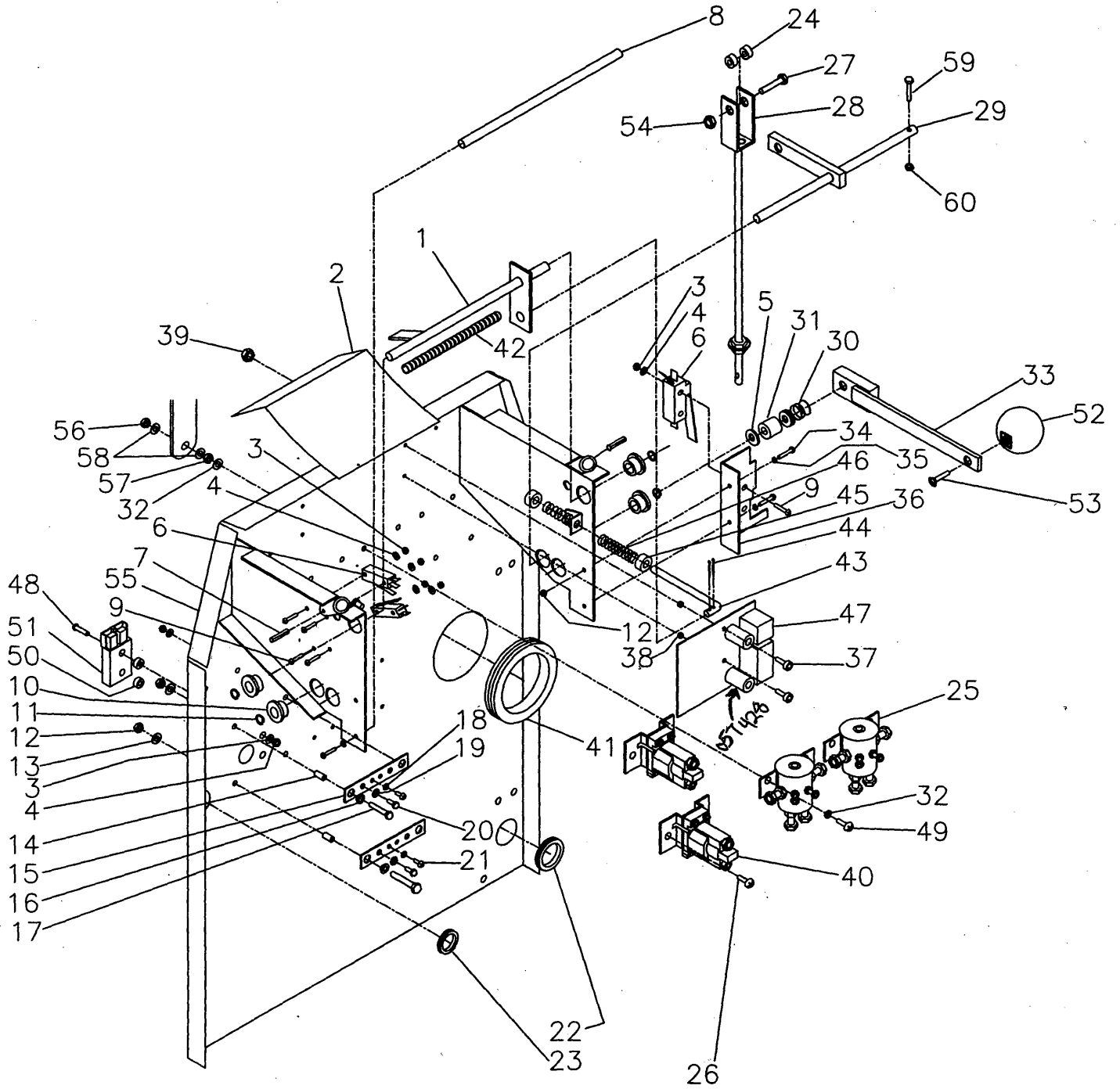
(40) 004253 washer

\* changed to 3057890

## AVAILABLE ASSEMBLIES

035305 ASM, RECOVERY TANK--INCLUDES ITEMS 1-15, 17-21, 24-35, 37-47

# VS34/85 BACK PANEL ASSEMBLY



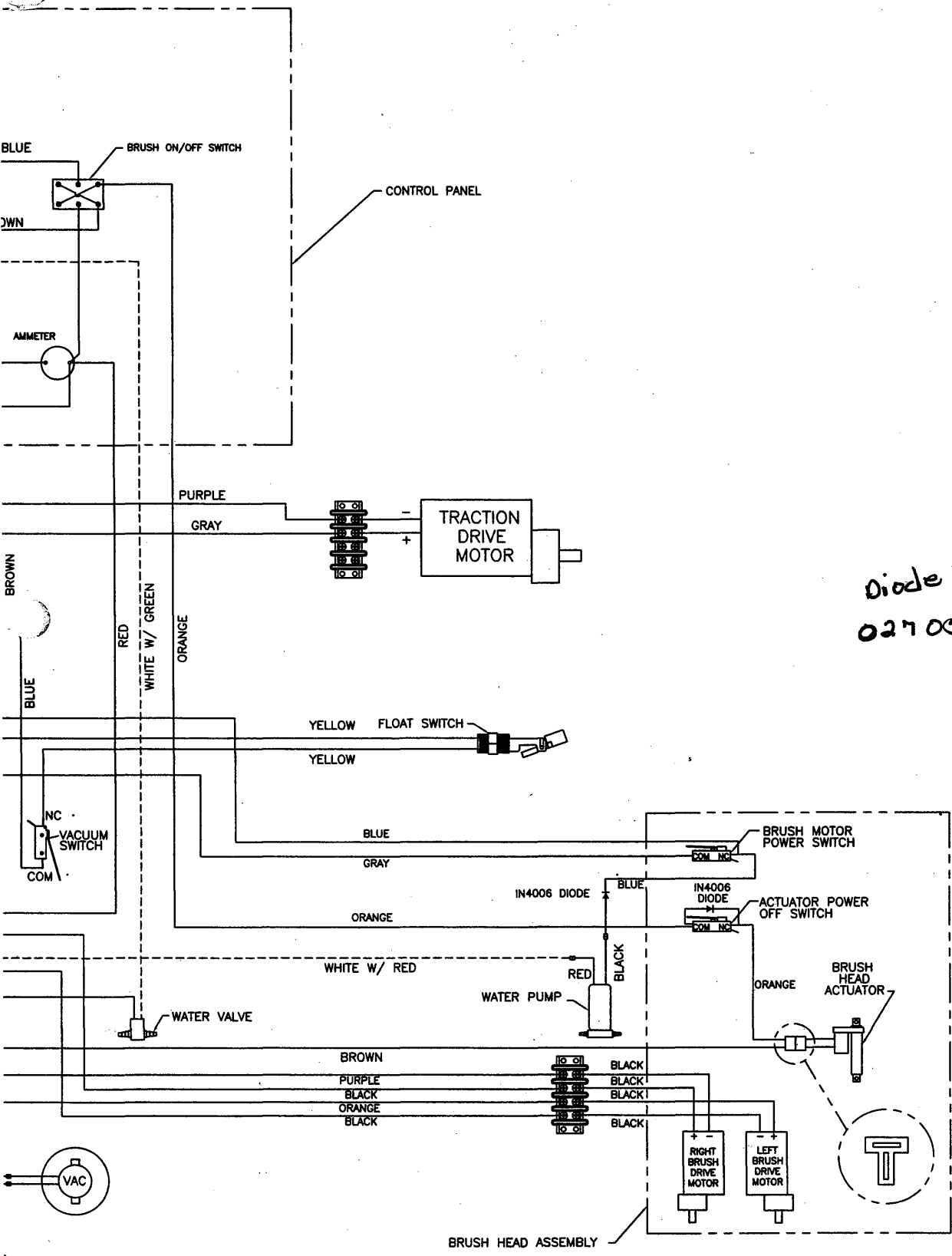
TM-1674

# VS34/85 BACK PANEL PARTS LIST

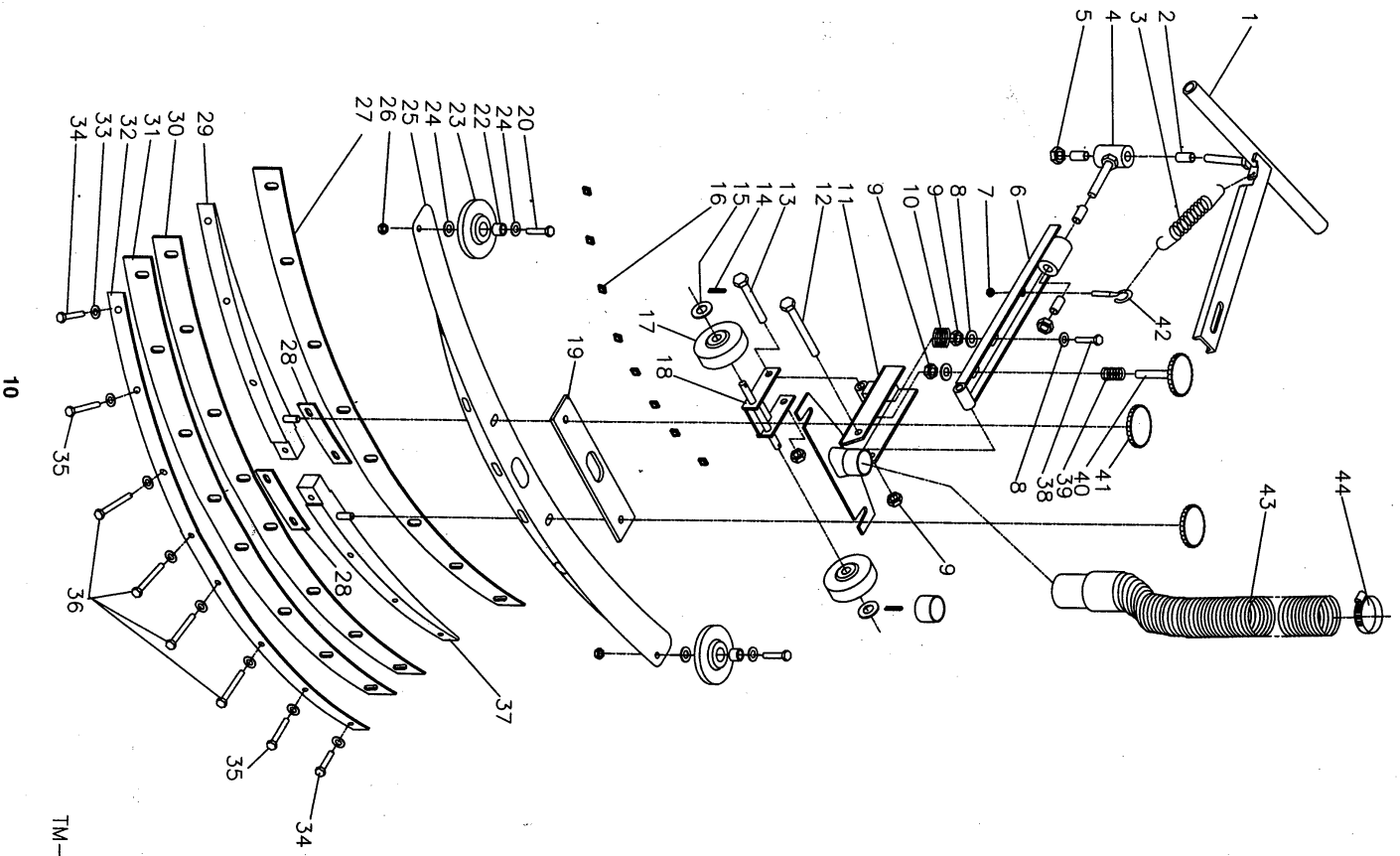
DET. PART NO.	DESCRIPTION	QUANT.	DET. PART NO.	DESCRIPTION	QUANT.		
1	035384	WDMT,SHAFT—ACTUATOR	1	31	057517	SPACER,NYLON—.50ID,.71OD,.39T	1
2	026164	INSULATOR,ELEC—MYLAR,11.5X7	1	32	004254	WSHR LK .267ID.510OD.028T EXT	2
3	003274	NUT,HEX— 6-32,ZN PLT	8	33	035515-05	WDMT,HANDLE—SQUEEGEE,PAINTED	1
4	004250	WSHR LK .148ID.250OD.031TSPLT	8	34	002247	SCR MACH RD HD .250-20X.625L	3
5	004238	WSHR FLT .531ID1.00OD.071T STL	3	35	002278	WSHR LK .262ID.489OD.062TSPLT	2
6	026603	SWITCH,LVR—DPST,20A,125-250V	3	36	057324-05	BRKT—ARM STOP,KA-33,PAINTED	1
7	005624	PIN,ROLL—.312DIA,1.000"L	2	37	005410	SCR MACH RD HD 8-32X1.00L	2
8	057366	ROD,STL—SUPPORT,HNDL,KA-33SS	1	38	057428	SPACER,ALUM—.187X.375,.375L	2
9	001248	SCR MACH RD HD 6-32X1.00L	6	39	003415	NUT,HEX LOCK— 8-32,NYLOC,ZN	2
10	027131	BRG,FLANGE—.500ID.750OD.500W	4	40	026504	SOLENOID—SWITCH,SPNO,36VDC	2
11	004351	RING,RTNG—EXT,.500 SHAFT, "E"	4	41	054845	GROM—3.00ID,3.50MHD,.12PA	1
12	003363	NUT,HEX LOCK—.250-20,ZN PLT	4	42	057176	TUBE,PLSTC—SLIT,.81ODX11.0"L	1
13	002278	WSHR LK .262ID.489OD.062TSPLT	4	43	053296	ROD,STL—.312 DIA., 6.00 LONG	1
14	048268	SPACER,PLSTC—.500X.625,.500L	4	44	004297	PIN,COTTER—.094X .750 LONG	2
15	048269	BAR,STL—.187X.750X 4.00 LONG	2	45	048987	COLLAR-CENTERING SPRING	2
16	004369	WSHR SHLDR.250ID.562OD.120T,NY	4	46	056597	SPRING,COMP .480D 2.75L .045WD	2
17	002269	SCR CAP HEX HD .250-20X1.25L	4	47	027237	CONTROL—DC,AUTOS,CRTS,36V	1
18	005297	WSHR LK .200ID.334OD.047TSPLT	1	48	001497	SCR MACH RD HD 6-32X1.50L	2
19	004212	WSHR LK .326ID.586OD.078TSPLT	4	49	002263	SCR MACH RD HD .250-20X1.25L	1
20	003243	SCR CAP HEX HD .312-18X.625L	4	50	046309	SPACER,PHEN—.250X.500,.500L	4
21	001283	SCR MACH RD HD 10-24X.375L	2	51	027152	ASM,CHARGER PLUG—2 CNDCT	1
22	056672	GROM—2"IDX2.44MHDX.12PA	1	52	057391	HANDLE,BALL—ALUM,2.125 DIA	1
23	055434	GROM—1.0ID,1.25MHD,.125PA	1	53	002480	SCR MACH PAN HD .250-20X.625L	1
24	050872	SPACER,PHEN—.250X.500,.375L	2	54	003363	NUT,HEX LOCK—.250-20,ZN PLT	1
25	026713	SOLENOID,DOUBLE THROW—SWITCH	2	55	035463	WDMT,BACK PANEL—KA-33SS	1
26	001514	SCR TPG F PAN HD .250-20X.375L	8	56	003363	NUT,HEX LOCK—.250-20,ZN PLT	1
27	002273	SCR CAP HEX HD .250-20X1.75L	1	57	222258	NUT,HEX—.250-20,SS	1
28	035459	ASM,SQUEEGEE LIFT—33SS	1	58	005433	WSHR FLT .281ID.750OD.120T STL	2
29	035486-02	WDMT,SQUEEGEE—27SS,PLATED	1	59	002433	SCR SHLDR SOC HD .250X.500L	1
30	057388	SPRING,COMP .975D .88L .112WD	1	60	005480	NUT,HEX LOCK— 10-24,NYLOC	1







# VS34/85 SQUEEGEE ASSEMBLY



TM-1457

\* SQUIWAND ADAP 057098  
1 1/2 STEEL PIPE

# VS34/85 SQUEEGEE PARTS LIST

\* #31 = PN 330827

DET.	PART NO.	DESCRIPTION	QUANT.	DET.	PART NO.	DESCRIPTION	QUANT.
1	035139	WDMT,SQUEEGEE LIFT—33&39 AUTO	1	24	004218	WSHR FLT .344ID.750OD.060T STL	4
2	027171	BRG,SLV— .500ID, .625OD,.750W	4	25	035100	WDMT,SQUEEGEE—33 AUTO	1
3	051136	SPRING,EXT .750D 2.92L .104WD	1	26	003378	NUT,HEX LOCK—.312-18,ZN PLT	2
4	035150	WDMT,SQUEEGEE PIVOT—33&39AUTO	1	* 27	056428	RUBBER,SQUEEGEE—33AUTO,FRONT	1
5	003370	NUT,HEX LOCK—.500-13,ZN PLT	2	28	056461	CLAMP,SQUEEGEE—11GA,5.00L	2
6	035137	WDMT,SQUEEGEE BAR—33&39 AUTOS	1	29	056454	SPACER,SQUEEGEE—33 AUTO,LEFT	1
7	005479	NUT,HEX LOCK—.250-20,NYLOC,ZN	1	30	056429	RUBBER,SQUEEGEE—33 AUTO,REAR	1
8	005219	WSHR FLT .406ID1.00OD.071T STL	4	* 31	056430	RUBBER,SQUEEGEE—BACKUP	1
9	003368	NUT,HEX LOCK—.375-16,ZN PLT	4	32	056455	STRAP,SQUEEGEE—33 AUTO	1
10	056808	SPRING,COMP—.970D,.750L,.072W	1	33	004531	WSHR FLT .281ID.625OD.080T,SS	8
11	035138	WDMT,SQUEEGEE BRACKET—33&39	1	34	002454	SCR CAP HEX HD .250-20X1.50L	2
12	002445	SCR CAP HEX HD .375-16-2.50L	1	35	002476	SCR CAP HEX HD .250-20X2.00L	2
13	003268	SCR CAP HEX HD .375-16X3.00L	1	36	002455	SCR CAP HEX HD .250-20X2.50L	4
14	005383	PIN,COTTER—.094X1.000 LONG	2	37	056434	SPACER,SQUEEGEE-33 AUTO,RIGHT	1
15	004223	WSHR FLT .406ID.625OD.036T STL	2	38	002332	SCR CAP HEX HD .375-16X1.75L	1
16	005591	NUT,SELF RETAINING—.250-20	8	39	056585	SPRING,COMP .845D 1.75L .085WD	1
17	057193	WHEEL,PLASTIC—3"OD,3/8"BORE	2	40	035163	ASM,KNOB—ADJUSTMENT,.375-16	1
18	034172	WDMT,BRACKET—SQUEEGEE WHEEL	1	41	047484	KNOB	2
19	056466	GASKET,SQUEEGEE—.187X2,9.75L	1	42	005594	BOLT,EYE—.250-20,X1.0 SHANK	1
20	003249	SCR CAP HEX HD .312-18X1.25L	2	43	035302	ASM,HOSE—SQUEEGEE,1.5DIA,BLK	1
22	053699	SPACER,STL—.312X.437,.43L	2	44	046688	CLAMP,HOSE—1.75 MAX DIA,WORM	1
23	053720	WHEEL—4.00DIA,.438BORE,.688HB	2				

039568 - Back Sq Weo

## AVAILABLE ASSEMBLIES

- 035133 ASM, SQUEEGEE--INCLUDES ITEMS 16, 19-37
- 035140 ASM, SQUEEGEE LINKAGE--INCLUDES ITEMS 1-18, 38-41
- 039566 SET, SQUEEGEE BLADE--INCLUDES ITEMS 27, 30, 31

\* #27 - 3330825 (42.00)

\* 30 - 3330826 (41.75)



# VS34/85 BRUSH HEAD PARTS LIST

DET. PART NO.	DESCRIPTION	QUANT.	DET. PART NO.	DESCRIPTION	QUANT.		
1	005200	PIN,COTTER—.125X1.000 LONG	1	28	051514	TUBE,VINYL—.500X.750, 2.25L	2
2	004238	WSHR FLT .531ID1.00OD.071T STL	4	29	035333	ASM,TUBE—PVC,SOL,33"	1
3	005227	WSHR FLT .531ID.875OD.036T STL	2	30	005316	SCR TPG F PAN HD 10-24X.375L	2
4	026603	SWITCH,LVR—DPST,20A,125-250V	2	31	051474	CLAMP,LOOP—.609 CLOSED I.D.	2
5	024368	ACTUATOR,DC—36V,500LBS,6IN	1	32	053277	BRACKET,SOLN TUBE—.75X.75X1.8	4
6	035120	WDMT,ACTUATOR TUBE—BRUSH LIFT	1	34	003363	NUT,HEX LOCK—.250-20,ZN PLT	4
7	004250	WSHR LK .148ID.250OD.031TSPLT	6	35	056464	TUBE,SS—1.50OD,16GA,1.937L	2
8	003274	NUT,HEX— 6-32,ZN PLT	2	36	056445	SHAFT,DRIVE—BRUSH,AUTOS	2
9	046425	SPACER,PHEN—.250X.437, .250L	2	37	003466	NUT,HEX— 6-32,SS	4
10	056155	PIN—ACTUATOR	1	38	056468	CLIP,RETAINING—BRUSH LUG	2
11	024440	ASM,MTR&GEAR UNIT—36V,W/RINGS	2	39	056447	HUB,DRIVE—BRUSH,AUTOS,RIGHT	1
12	056527	KEY,SQUARE—.250SQ,1.50L	2	40	001515	SCR MACH PAN HD 6-32X.500L	4
13	001489	SCR MACH RD HD 6-32X1.75L	2	41	005358	WSHR LK—.326ID.586OD.078T SPL	2
14	054427	SPRING,COMP—1.09D 2.50L.135WD	1	42	002474	SCR CAP SOC HD .312-18X2.00L	2
15	056639	PLATE,STL—13GA,1.125DIA	1	43	002473	SCR MACH FLAT HD 10-24X.875L	12
16	003270	SCR CAP HEX HD .500-13X1.25L	4	44	057159	PLATE,SS—BRUSH MTG RING,RIGHT	1
17	056473	SPACER,STL—.531X.750C .218L,Z	4	45	222224	NUT,HEX LOCK— 10-24,ZN PLT	12
18	056254	BAR,STL—.375X1.25, 9.25L	4	46	057160	PLATE,SS—BRUSH MTG RING,LEFT	1
19	003370	NUT,HEX LOCK—.500-13,ZN PLT	4	47	056446	HUB,DRIVE—BRUSH,AUTOS,LEFT	1
20	005219	WSHR FLT .406ID1.00OD.071T STL	2	48	004529	RING,RTNG—INT,2.375 BORE	2
21	035078	WDMT,BRUSH HEAD—33 DURASCRUB	1	49	002459	SCR CAP HEX HD .250-20X.500LSS	4
22	056474	SHAFT,STL—.375DIA, 8.00L	1	50	004352	PIN,LOCK—.125 DIA WIRE	2
23	055297	TUBE,FORMED—AUTO,SOLN,RIGHT	2	51	004548	WSHR FLT 1.770ID2.342OD.078T	2
24	004214	WSHR LK .390ID.683OD.094TSPLT	8	52	005630	LUG,BRUSH—.250-20 THREAD	6
25	003262	SCR CAP HEX HD .375-16X1.00L	8	53	039276	BRUSH,MTR—FOR 024372 MOTOR	8
26	055296	TUBE,VINYL—.313X.500,1.75L	2				
27	051117	CLAMP,HOSE—.875 MAX DIA,WORM	4				

Insert

## AVAILABLE ASSEMBLIES

- 035492 ASM, BRUSH HEAD--INCLUDES ITEMS 1-51, 53
- 035121 ASM, SOLUTION LINE--INCLUDES ITEMS 23, 26-31
- 035131 ASM, DRIVE HUB, RIGHT--INCLUDES ITEMS 7, 35-45, 48, 51
- 035132 ASM, DRIVE HUB, LEFT--INCLUDES ITEMS 7, 35-38, 40-43, 45-48, 51



# VS34/85 REAR COVER PARTS LIST

\* 027241  
(VSA) (3 prong)

DET. PART NO.	DESCRIPTION	QUANT.	DET. PART NO.	DESCRIPTION	QUANT.		
1	026584	STARTER-SWITCH-LOCKING	1	26	057308	GASKET—.125x.500,8.656L,LEFT	1
2	056596	KNOB,PLASTIC—BLACK,.92DIAX.95	1	27	003429	NUT,SPEED,U—.250-20,.58X1.125	2
3	026158	ASM,POTENTIOMETER—W/RESISTER	1	28	057309	GASKET—.125x.500,8.656l	1
4	057368	LABEL—INSTR PANEL,AUTO,SS	1	29	026198	CIRCUIT BREAKER—30AMP,SCR TRM	4
5	057343	PANEL,INSTR—SELECT SCRUB	1	30	026751	CIRCUIT BREAKER—10AMP	2
6	002382	SCR TPG F PAN HD 10-B X.500L	6				
7	057175	LABEL—SAFETY INSTRUCTIONS,ENG	1	31	057243	KEY,AUTOMATICS—FOR P/N 026584	1
8	027161	VOLTMETER—27-45 VDC, ROUND	1	32	056499	PANEL,CIRCUIT BREAKER—AUTOS	1
9	026130	SWITCH,RKR—DPDT,ON/OFF/ON	1	33	057430	LABEL—CIRCUIT BREAKER,SS AUTO	1
10	026129	SWITCH,RKR—DPST,OFF/ON/(ON)	1	34	002371	SCR TPG F PAN HD 10-24X.625L	4
				35	056595	HANDLE,STL—.625DIA,PAINTED	1
				36	056359	SHAFT,STL—.750DIA,1.75L	2
				37	002471	SCR CAP SOC HD—.25-20X1.25 L	2
				38	004208	WSHR FLT .281ID.500OD.036T STL	2
				39	056761	RING,RTNG—INT,.500BORE,N5000	2
				40	057322-05	PLATE,STL—BREAKER PANEL,PAINT	1
				41	005387	SCR SET CUP PT .312-18X.500L	2
				42	056594	HANDLE,ACTUATOR—AUTOS,PAINTED	1
				43	057310	GASKET—.125x.500,11.75L	1
				44	057306	GASKET—.125x.500,13.75L,TOP	1
				45	001497	SCR MACH RD HD 6-32X1.50L	2
				46	004250	WSHR LK .148ID.250OD.031TSPLT	2
				47	003274	NUT,HEX— 6-32,ZN PLT	2
				48	004249	WSHR LK .150ID.320OD.022T EXT	2
				49	003274	NUT,HEX— 6-32,ZN PLT	2
11	026045 *	SWITCH,RKR—SPST (2 prong)	1				
12	002343	SCR TPG F PAN HD .250-20X.500L	2				
13	057362	COVER,REAR—MACH,AUTO,33&39SS	1				
14	002334	SCR MACH RD HD .250-20X.750L	2				
15	026131	AMMETER—DC,0-75A,ROUND,2.0DIA	1				
16	026046	SWITCH,RKR—DPDT	2				
17	003244	SCR CAP HEX HD .312-18X.750L	2				
18	004218	WSHR FLT .344ID.750OD.060T STL	2				
19	004212	WSHR LK .326ID.586OD.078TSPLT	2				
20	057103	PLUG,BUTTON—.500MHD,BLACK,PLS	2				
21	223188	SCR MACH PAN HD 6-32X.500L	2				
22	003349	NUT,HEX—.312-18,ZN PLT	2				
23	005478	SCR MACH RD HD .250-20X.500L	2				
24	026160	HARNESS,WIRE—SELECT SCRUB	1				
25	046309	SPACER,PHEN—.250X.500,.500L	2				

pl. Flow.  
REMOVE

Install

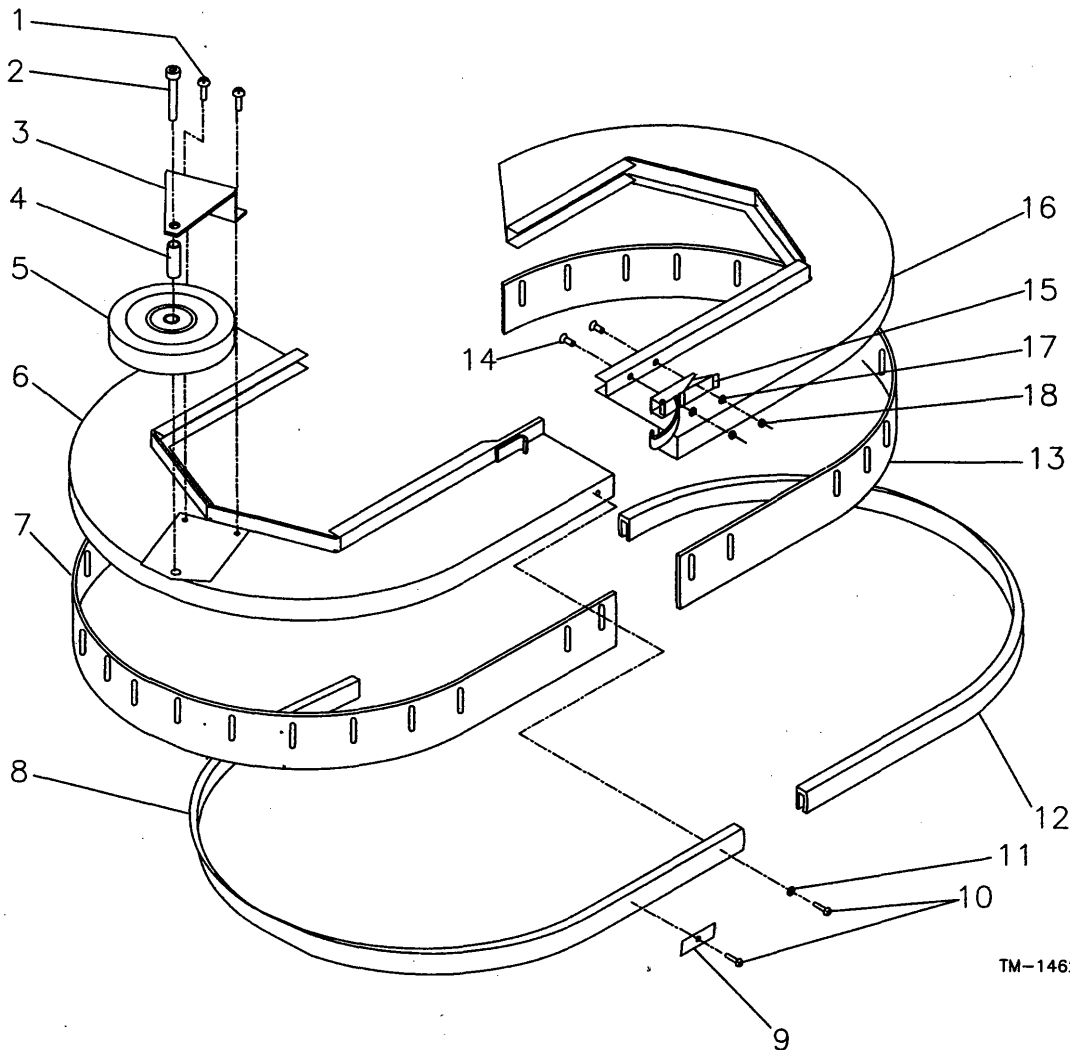
p/down

## AVAILABLE ASSEMBLIES

035465 ASM, INSTRUMENT PANEL--INCLUDES ITEMS 1, 4-5, 7-11, 15-16, 26, 28, 43-44



# VS34/85 BRUSH COVER ASSEMBLY



TM-1462

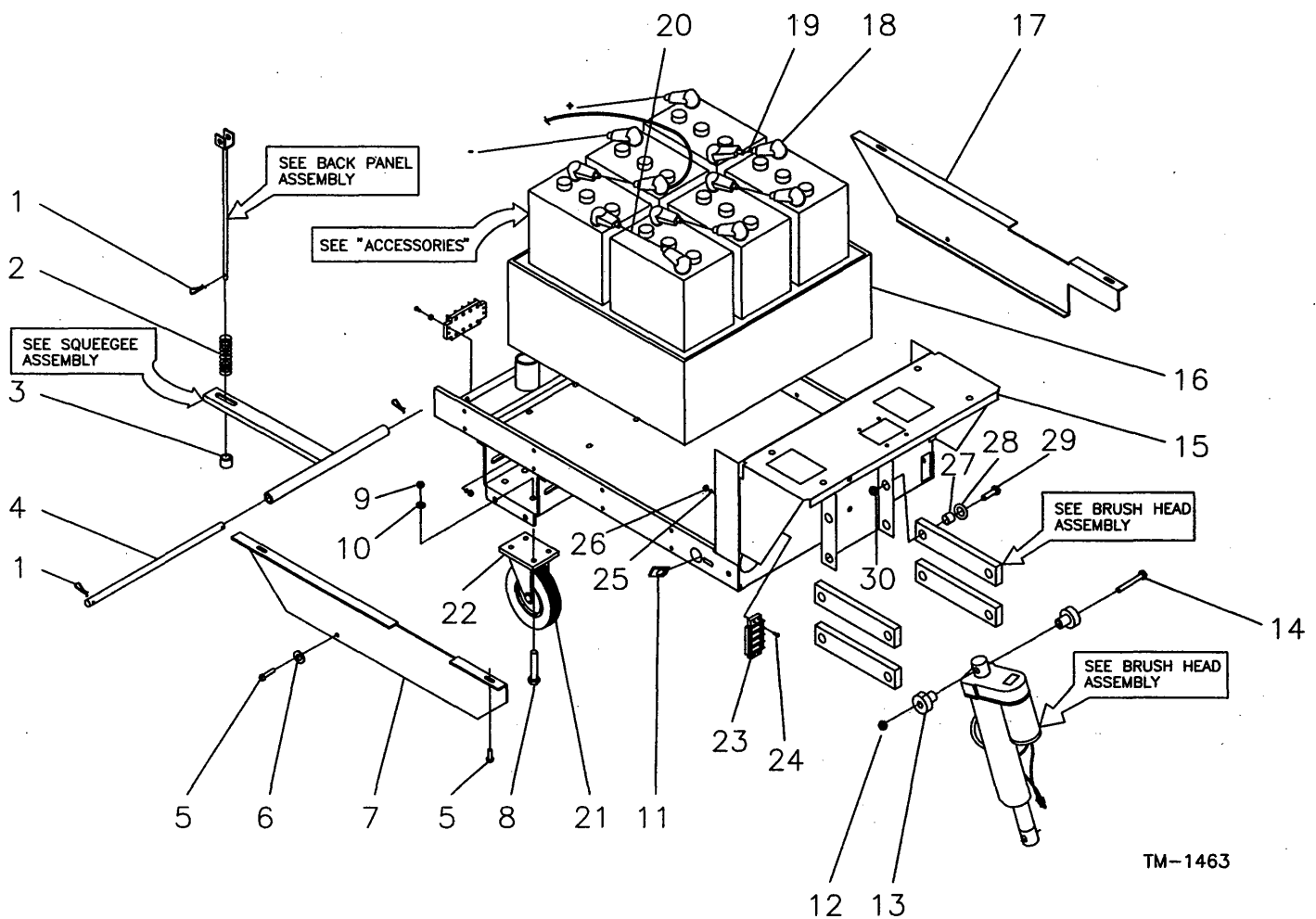
DET. PART NO.	DESCRIPTION	QUANT.	DET. PART NO.	DESCRIPTION	QUANT.		
1	002357	SCR MACH PAN HD .250-20X.625L	2	10	004542	SCR TPG F PAN HD 10-24X.875L	28
2	005536	SCR CAP SOC HD .375-16X2.00L	1	11	005323	WSHR FLT .203ID.500OD.036T STL	4
3	056120	BRACKET—BRUSH HEAD GUIDE	1	12	056493	CHANNEL,RUBBER—BRUSH CVR,33,L	1
4	056684	SPACER,STL—.500X17GA,1.50L,Z	1	13	056491	GUARD,SPLASH—.25X2.75,36.50L	1
5	056673	WHEEL,BLACK—5" OD	1	14	001288	SCR MACH FLAT HD 10-24X.500L	2
6	035114	WDMT,BRUSH COVER—33 AUTO,RT	1	15	054306	CLAMP,TOGGLE—BLACK,1.62 LATCH	1
7	056490	GUARD,SPLASH—.25X2.75,41.50L,R	1	16	035115	WDMT,BRUSH COVER—33 AUTO,LEFT	1
8	056492	CHANNEL,RUBBER—BRUSH CVR,33,R	1	17	003279	NUT,HEX— 10-24,ZN PLT	2
9	052006	STR,STL—.062X.437X1.50 LONG	24	18	005297	WSHR LK .200ID.334OD.047TSPLT	2

## AVAILABLE ASSEMBLIES

- 035124 ASM, BRUSH COVER, LEFT--INCLUDES ITEMS 9-18
- 035125 ASM, BRUSH COVER, RIGHT--INCLUDES ITEMS 1-11

TM-1466

# VS34/85 FRAME ASSEMBLY AND PARTS LIST

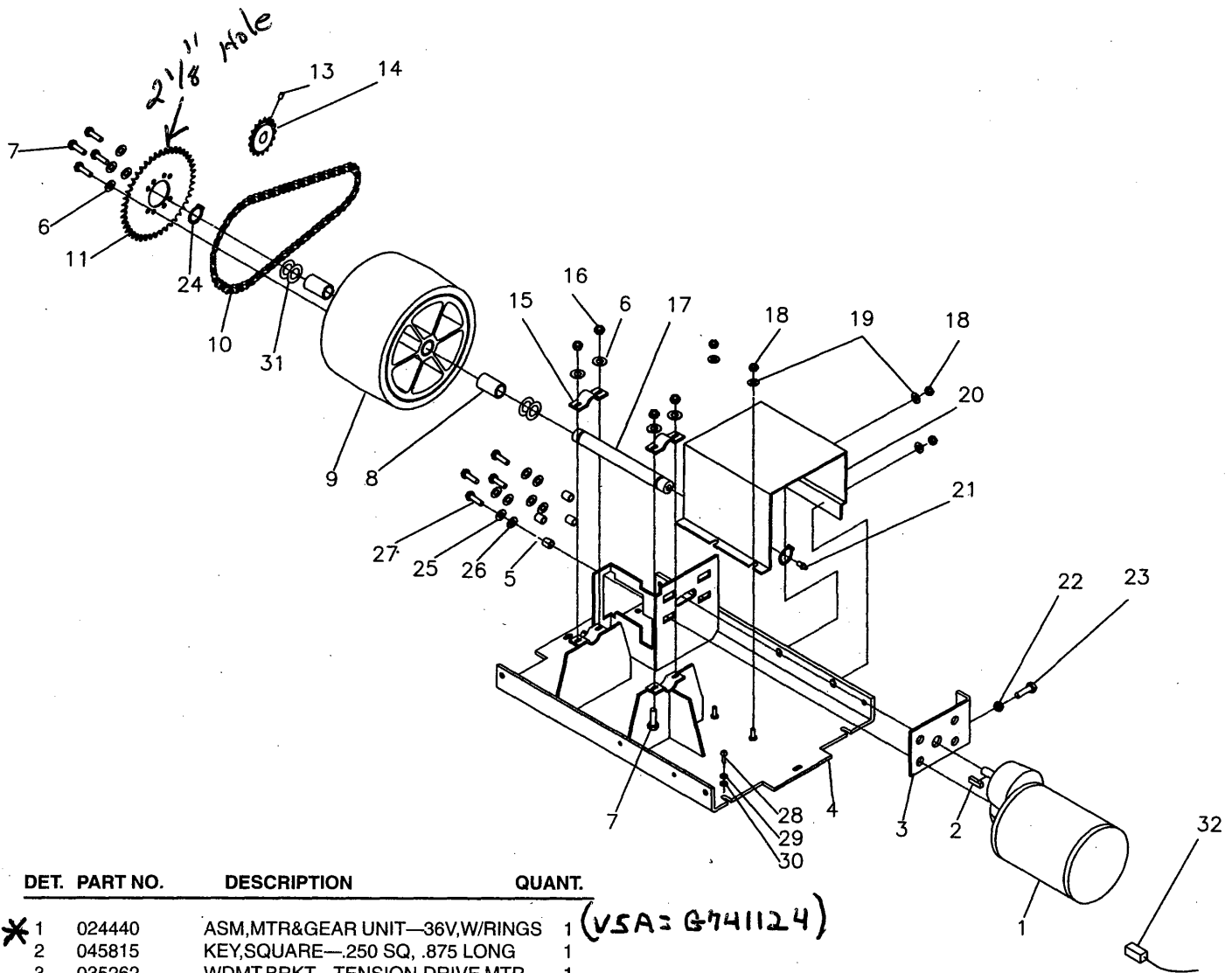


TM-1463

DET. PART NO.	DESCRIPTION	QUANT.	DET. PART NO.	DESCRIPTION	QUANT.
1 004352	PIN, LOCK—.125 DIA WIRE	3	17 056357	SKIRT, LOWER—LEFT, DURASCRUB	1
2 056618	SPRING, COMP—.845D, 3.50L, 100WD	1	18 054186	BOOT, INSULATOR—BATT TERMINALS	12
3 056683	SPACER, STL—.391X.625,.500L,Z	1	19 025085	ASM, WIRE—6GA, BLK, 10.2L, RINGS	4
4 056371	SHAFT, STL—.375 DIA, 14.62L	1	20 025274	ASM, WIRE—6GA, BLK, 14.0L, RINGS	1
5 002480	SCR MACH PAN HD .250-20X.625L	6	21 039563	KIT, WHEEL&AXLE—FOR 055658	2
6 004254	WSHR LK .267ID.510OD.028T EXT	6	21 055658	CASTER, SWIVEL—5.0 DIA, 700 LB	2
7 056358	SKIRT, LOWER—RIGHT, DURASCRUB	1	23 026111	TERMINAL BLOCK—4 GERM, 50AMP	2
8 003262	SCR CAP HEX HD .375-16X1.00L	8	24 005457	SCR MACH PAN HD 10-24X1.00L	8
9 003293	NUT, HEX—.375-16, ZN PLT	8	25 004253	WSHR LK .204ID.410OD.025T EXT	8
10 004214	WSHR LK .390ID.683OD.094TSPLT	8	26 003279	NUT, HEX— 10-24, ZN PLT	8
11 003429	NUT, SPEED, U—.250-20,.58X1.125	4	27 056473	SPACER, STL—.531X.750C .218L,Z	4
12 005279	NUT, HEX LOCK—.375-16, NYLOC	1	28 004238	WSHR FLT .531ID1.00OD.071T STL	4
13 054502	BSHG, SLV—.377ID.498OB1.00FLNG	2	29 003270	SCR CAP HEX HD .500-13X1.25L	4
14 003267	SCR CAP HEX HD .375-16X2.75L	1	30 003370	NUT, HEX LOCK—.500-13, ZN PLT	4
15 035089	WELDMENT—UPPER CHASSIS	1			
16 053534	BOX, BATT—32" AUTO'S, MACHINED	1			

TM-1463

# VS34/85 CHASSIS ASSEMBLY AND PARTS LIST



TM-1673

DET. PART NO.	DESCRIPTION	QUANT.
* 1	ASM,MTR&GEAR UNIT—36V,W/RINGS	1
2	KEY,SQUARE—.250 SQ, .875 LONG	1
3	WDMT,BRKT—TENSION,DRIVE MTR	1
4	WELDMNT—LOWER CHASSIS	1
5	SPACER,STL—.375X.625,.400L	4
6	WSHR LK .326ID.586OD.078TSPLT	8
7	SCR CAP HEX HD .312-18X.750L	8
8	BEARING,SLEEVE—1"ID,1.25"OD	2
9	ASM,WHEEL—10"OD,AUTO'S	1
10	CHAIN,ROLLER—#40,70LK&CONN	1
11	SPROCKET,CHAIN—#40,.500P,44T	1
13	SCR SET CUP PT .250-20X.500L	1
14	SPROCKET,CHAIN—#40,.500P,17T	1
15	CLAMP,AXLE—BLACK	2
16	NUT,HEX—.312-18,ZN PLT	4
17	AXLE—1.00 DIA X 9-5/16"L	1
18	NUT,HEX—.250-20,ZN PLT	4
19	WSHR LK .262ID.489OD.062TSPLT	4
20	COVER,MOTOR—AUTOMATICS	1
21	ZERK,GREASE—.250-28 THREAD	1

(VSA = G741124)

DET. PART NO.	DESCRIPTION	QUANT.
22	NUT,HEX JAM—.375-16,ZN PLT	1
23	SCR CAP HEX HD .375-16X1.75L	1
24	RING,RTNG—EXT,.984 SHAFT,5160	2
25	WSHR LK .390ID.683OD.094TSPLT	4
26	WSHR FLT .406ID.875OD.064T STL	4
27	SCR CAP HEX HD .375-16X1.25L	4
28	SCR CAP HEX HD .375-16X.625L	4
29	WSHR LK .398ID.694OD.040T EXT	4
30	WSHR FLT .375ID1.06OD.120T STL	4
31	WSHR FLT 1.05ID1.50OD.036T STL	4
32	BRUSH,MTR—FOR 024372 MOTOR	4

## AVAILABLE ASSEMBLIES

035430 ASM, LOWER CHASSIS--INCLUDES ITEMS 1-31

TM-1673